

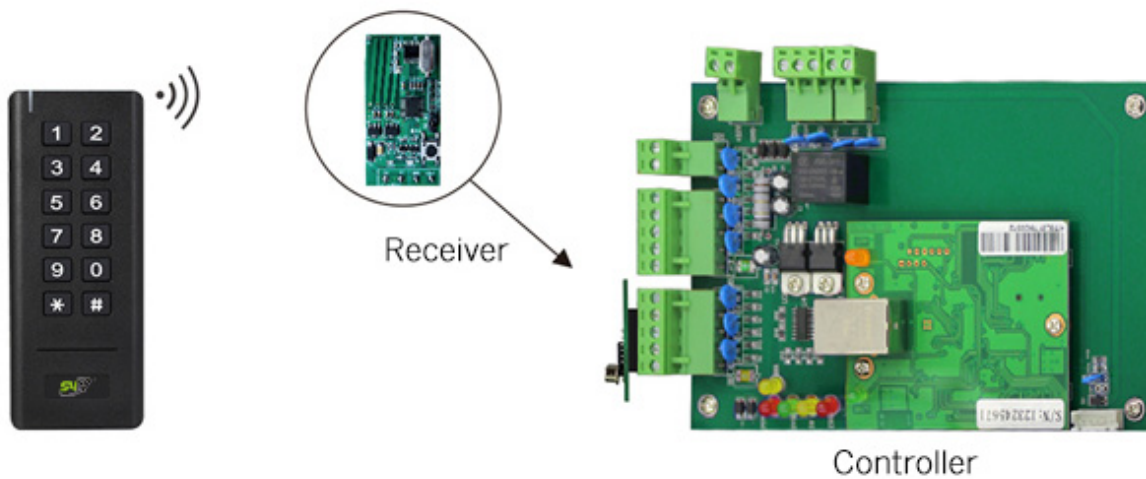
EM 125KHz Wireless Access Control Reader



WK1-EM

WK1-EM is a Wireless Keypad & EM Card Reader, including the Wireless Keypad and Receiver, it's 433MHz Rolling code communication between the keypad and receiver, and the receiver can be connected to any 3rd party Wiegand controller.

- > 433MHz Rolling Code technology
- > PIN Length: 1-6 digits
- > Card Type: 125KHz EM card
- > Programmable Wiegand output of the Receiver: 26 bits or 34 bits
- > Communication distance: 30m maximum
- > Ultra-low power consumption

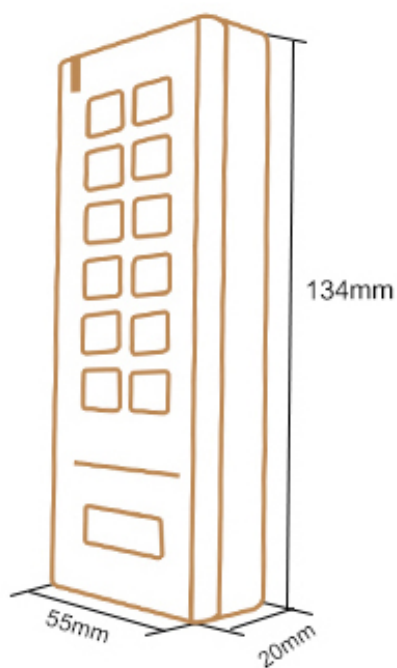


Can work with any wiegand controller

Specifications

Wireless Keypad Reader		Receiver	
PIN Length	1-6 digits	Operating Voltage	12V DC
Card Type	125KHz EM card	Working Current	<=15mA
Operating Voltage	3 units of AAA batteries	Communication Frequency	433MHz
Idle Current	<=5uA	Wiegand Output Format	26 bits Or 34 bits (Default is 26 bits)
Working Current	<=45mA	Operating Temperature	-20°C ~ 60°C (-4°F ~ 140°F)
Reading Distance	<=3cm	Operating Humidity	0% ~ 86%
Communication Frequency	433MHz	Dimensions	L25 x W50 (mm)
Communication Distance	30m Maximum	Net Weight	10g
Operating Temperature	-20°C ~ 60°C (-4°F ~ +140°F)	Wireless Button(Optional Accessory)	
Operating Humidity	0% ~ 86%	Operating Voltage	1unit of 2023 Lithium battery
Physical	ABS	Idle Current	<=2uA
Dimensions	L134 x W55 x H20 (mm)	Working Current	<=20mA
Net Weight	100g	Communication Frequency	433MHz
		Communication Distance	20m Maximum

Dimensions



S4A Industrial Co., Limited

Address: The 2nd floor, Jinmin'an Industrial Zone, #529, Bulong Rd.
Bantian St. Longgang Dist. Shenzhen, PRC.. CN 518131



Tel: +86 755 29450011

www.s4a-access.com